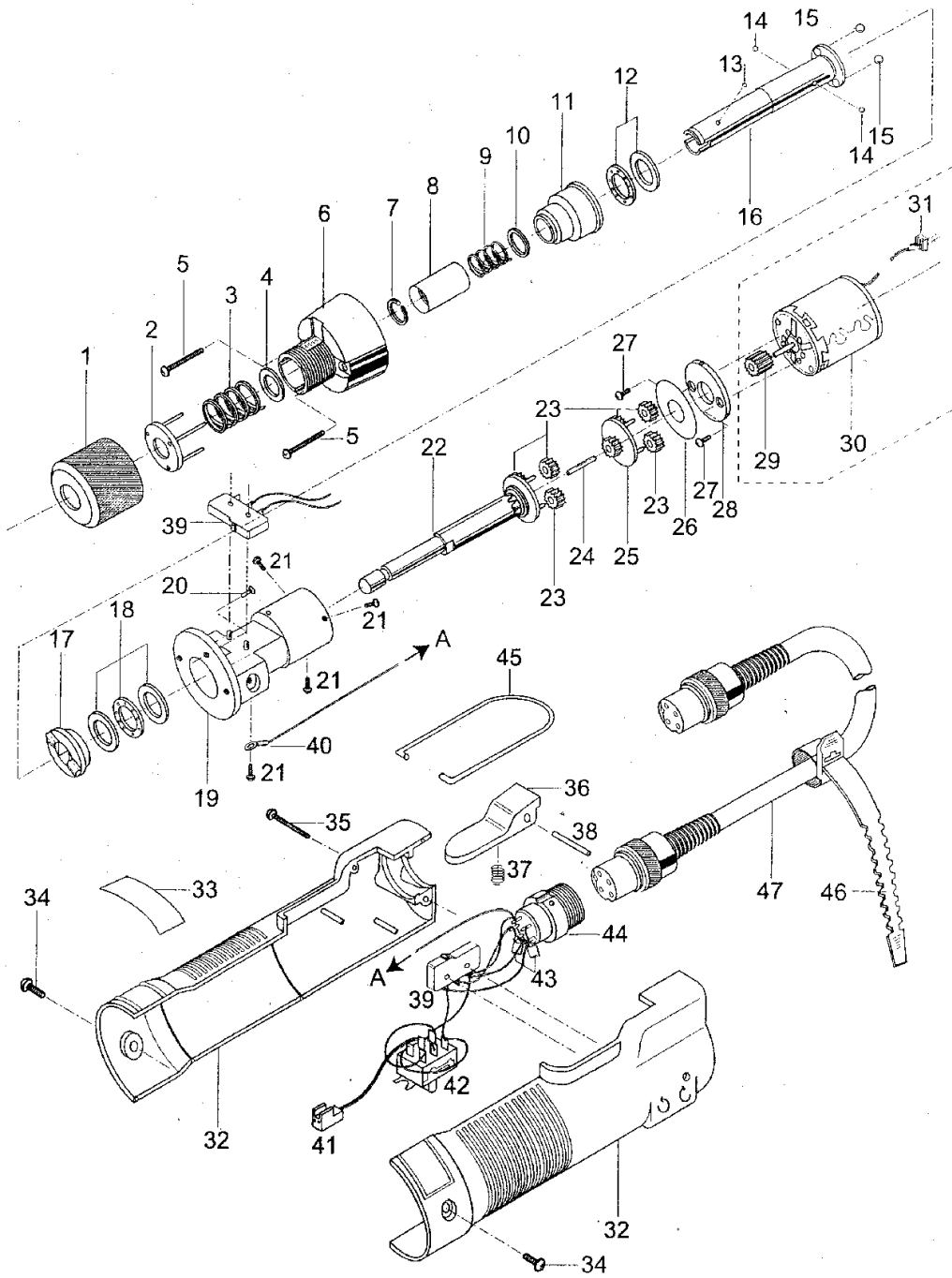


# CL-2000

## Part Number 64107

Rev 1.0 10/21/02



ASG, Division of Jergens Inc.  
Jergens Way o 15700 S. Waterloo Road o Cleveland, OH 44110  
Tel: (216) 486-6163 o Toll-Free: (888) 486-6163 o Fax: (216) 481-4519  
E-mail: [asginfo@asg-jergens.com](mailto:asginfo@asg-jergens.com) o Website: [www.asg-jergens.com](http://www.asg-jergens.com)

ISO 9001

**CL-2000**  
**Part Number 64107**

Rev 1.0 10/21/02



| <u>Ref#</u> | <u>Part Name</u>                          | <u>Part#</u> | <u>Ref#</u> | <u>Part Name</u>                                    | <u>Part#</u> |
|-------------|---|--------------|-------------|---|--------------|
|             | Transmission Assembly 1 – 26 (w/o No. 21) |              |             | Motor Assembly (Inc. #29 – 31)                      | 723826       |
| 1           | Torque Adjusting Nut                      | 723800       | 29          | Pinion Gear (include Motor Assy)                    | N/A          |
| 2           | Torque Adjusting Nut Spring Holder A      | 723801       | 30          | Motor (include Motor Assy)                          | N/A          |
| 3           | Torque Adjusting Spring (Black)           | 723802       | 31          | Connector 5045-02A<br>(include Motor Assy)          | N/A          |
|             | Torque Adjusting Spring (Yellow)          | 723803       | 32          | Body Case A & B                                     | 723827       |
| 4           | Spring Holder B                           | 723804       | 33          | Name Plate  | 723828       |
| 5           | Set Screw 2.6x15                          | 723805       | 34          | Set Screw 2.6x6                                     | 723829       |
| 6           | Torque Adjusting Bolt                     | 723806       | 35          | Set Screw 2.6x12                                    | 723830       |
| 7           | Collar Stopper                            | 723807       | 36          | Switch Lever  | 723831       |
| 8           | Joint Shaft Collar                        | 723808       | 37          | Switch Lever Spring                                 | 723832       |
| 9           | Joint Shaft Collar Spring                 | 723809       | 38          | Steel Shaft 2ø x 17.8                               | 723833       |
| 10          | Washer 6.5x8.5x0.5                        | 723810       |             |   |              |
| 11          | Clutch Panel                              | 723811       |             | Circuit Assembly (Inc. #39 – 44)                    | 723834       |
| 12          | Thrust Bearing T-1370T1                   | 723812       |             |   |              |
| 13          | Knotting Ball 1.5ø                        | 721085       | 39          | Limit Switch SS-5-L (165)                           | 720705       |
| 14          | Knotting Ball 2.0ø                        | 720835       | 40          | Ground Connector (41-319)<br>(include Circuit Assy) | N/A          |
| 15          | Clutch Ball 3.17ø                         | 723813       | 41          | Housing Assy (5051-02)<br>(include Circuit Assy)    | N/A          |
| 16          | Joint Shaft                               | 723814       | 42          | For/Rev Switch                                      | 723835       |
| 17          | Cam                                       | 723815       | 43          | Film Condenser                                      | 723836       |
| 18          | Thrust Bearing T-1160                     | 721053       | 44          | 5-Pin Connector                                     | 723837       |
| 19          | Gear Case Assembly                        | 723816       | 45          | Hanger  | 723838       |
| 20          | Limit Pin                                 | 723817       | 46          | Free-Up Belt (Sold w/ Cord)                         | N/A          |
| 21          | Set Screw 2x4                             | 723818       | 47          | Cord, 4 ft. w/connector in both ends                | 64181        |
| 22          | Lower Planet Cage                         | 723819       |             |   |              |
| 23          | Planet Gear                               | 723820       |             |   |              |
| 24          | Planetary Pin                             | 723821       |             |   |              |
| 25          | Upper Planet Cage                         | 723822       |             |   |              |
| 26          | Oil Seal                                  | 723823       |             |   |              |
| 27          | Set Screw 2x5                             | 723824       |             |   |              |
| 28          | Motor Front Panel                         | 723825       |             |   |              |

ASG, Division of Jergens Inc.  
 Jergens Way o 15700 S. Waterloo Road o Cleveland, OH 44110  
 Tel: (216) 486-6163 o Toll-Free: (888) 486-6163 o Fax: (216) 481-4519  
 E-mail: asginfo@asg-jergens.com o Website: www.asg-jergens.com

ISO 9001