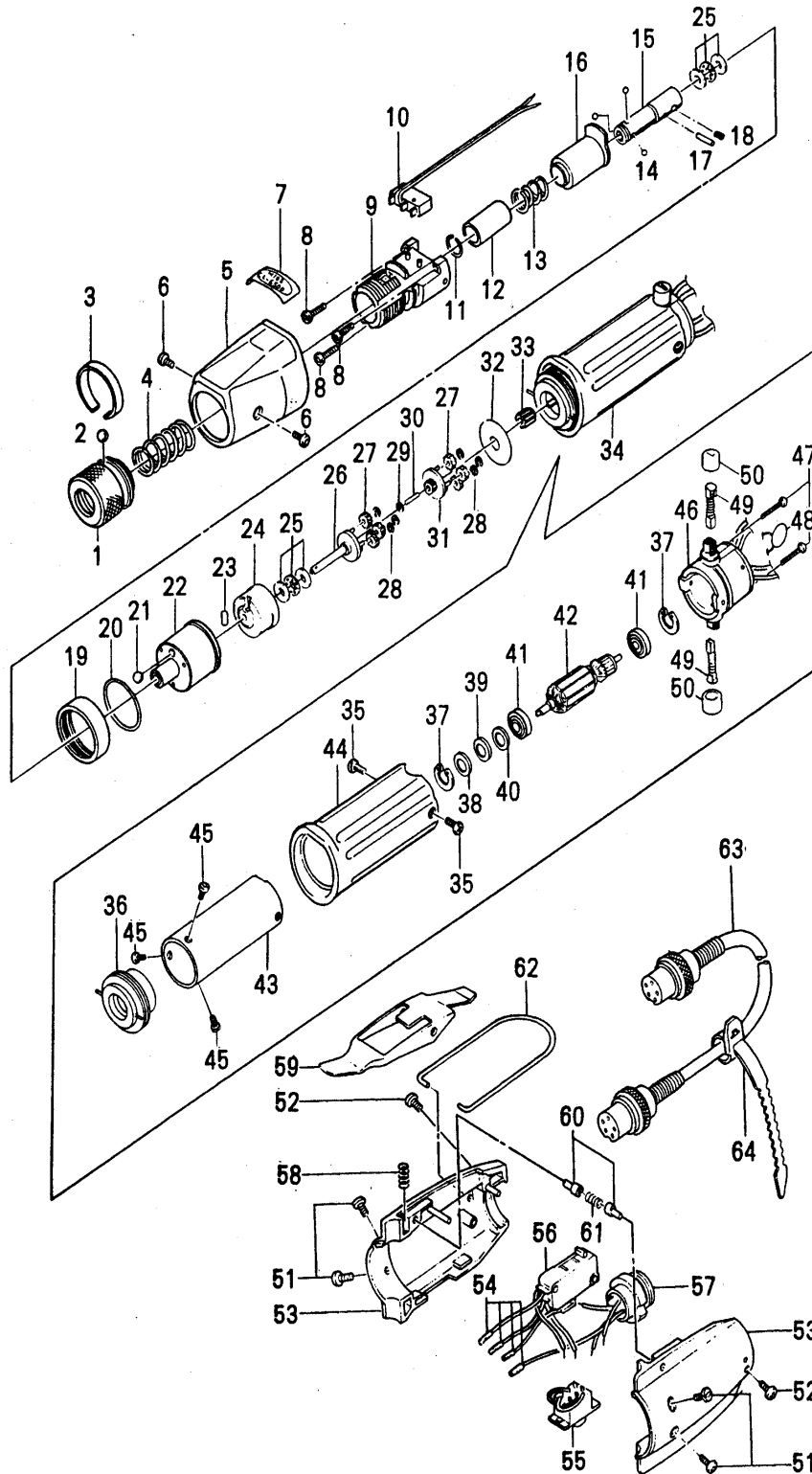


CL-6000 & CL-6500 Part Numbers 64106 & 64118

5.0 mm Drive Size
Rev 1.0 10/21/02



ASG, Division of Jergens Inc.
Jergens Way o 15700 S. Waterloo Road o Cleveland, OH 44110
Tel: (216) 486-6163 o Toll-Free: (888) 486-6163 o Fax: (216) 481-4519
E-mail: asginfo@asg-jergens.com o Website: www.asg-jergens.com

ISO 9001

CL-6000 & CL-6500

Part Numbers 64106 & 64118



5.0 mm Drive Size

Rev 1.0 10/21/02

Ref#	Part Name	Part#	Ref#	Part Name	Part#
	Transmission Assembly 1 – 33 (w/o 10)			Upper Planet Cage Assembly 31, 27, 28	
	For CL-6000		31	Upper Follower	720866
	For CL-6500		32	Grease Seal	720867
	Torque Adjusting Nut Assembly 1 – 3		33	Motor Gear	720837
1	Torque Adjusting Nut (Inc. 1-3)	720848	34	Motor: For CL-6000	721616
2	Knotting Ball 3 mm	720831		For CL-6500	721617
3	Knotting Ball Band	720124	35	Motor Case Set Screw 3x5.5 (x2)	720756
4	Torque Adjusting Spring For CL-6000 (Brown)	720123	36	Motor Front Cover	720888
	For CL-6500 (White)	720843	37	Bearing Ret. Ring	721622
	For CL-6500 (Yellow)	720844	38	Wave Washer	721621
5	Clutch Cover	720850	39	Bearing Spacer 0.1	721620
6	Clutch Cover Set Screw 3x5.5 (x2)	720756	40	Bearing Spacer 0.2	720100
7	Mark Label: For CL-6000	N/A	41	Motor Bearing (x2)	720103
	For CL-6500	N/A	42	Rotor: For CL-6000	721724
8	Torque Adjusting Bolt Set Screw (x3)	720852		For CL-6500	721725
9	Torque Adjusting Bolt	720853	43	Magnet Case: For CL-6000	N/A
10	Limit Switch	720705		For CL-6500	N/A
	Joint Shaft Assembly 11 – 15		44	Motor Case: For CL-6000	721613
11	"C" Ring	720854		For CL-6500	721614
12	Joint Shaft Collar	720838	45	Motor Body Set Screw 3x4 (x3)	720755
13	Collar Spring	720834		Motor End Cover Assembly 37,41,46-50	
14	Bit Lock Ball 2.0ø (x3)	720719	46	Motor End Cover	721610
15	Joint Shaft (5.0 mm Shank)	720874	47	End Cover Set Screw 2.6x20 (x2)	721611
16	Clutch Supporter	720856	48	Capacitor	721612
17	Joint Shaft Lock Pin 2x11.8	720836	49	Carbon Brush (x2)	721601
18	Joint Shaft Set Screw 3x3	720717	50	Carbon Brush Cap (x2)	721602
19	Joint Ring	720858	51	Switch Cover Set Screw 3x8 (x4)	720759
20	O-Ring	720764		Switch Assembly 52 – 64 (w/o 58,59)	N/A
	Gear Assembly 21 – 33		52	Switch Cover Joint Screw 2.6x5 (x2)	721415
21	Clutch Ball 5.5 mm	720859	53	Switch Cover A & B	721608
22	Gear Case	720860	54	Connector	720878
23	Cam Roller 5x7 mm	720861	55	For/Rev Switch	720753
24	Cam Base	720862	56	ON/OFF Switch	720754
25	Thrust Bearing 6x12 (x2)	720863	57	5-Pin Connector	721402
	Lower Planet Cage Assembly 26 – 28		58	Switch Lever Spring	721605
26	Drive Gear	720864	59	Switch Lever	721603
27	Idler Gear (x6)	720126	60	Switch Lever Plunger (x2)	721606
28	E-Ring (x6)	720115	61	Plunger Spring	721607
29	Thrust Washer	720768	62	Hanger	721604
30	Planetary Pin	720769	63	Cord 6' w/Connector in both ends	64182
			64	Free-Up Belt	N/A

ASG, Division of Jergens Inc.

Tel: (216) 486-6163 o Toll-Free: (888) 486-6163 o Fax: (216) 481-4519

E-mail: asginfo@asg-jergens.com o Website: www.asg-jergens.com

ISO 9001