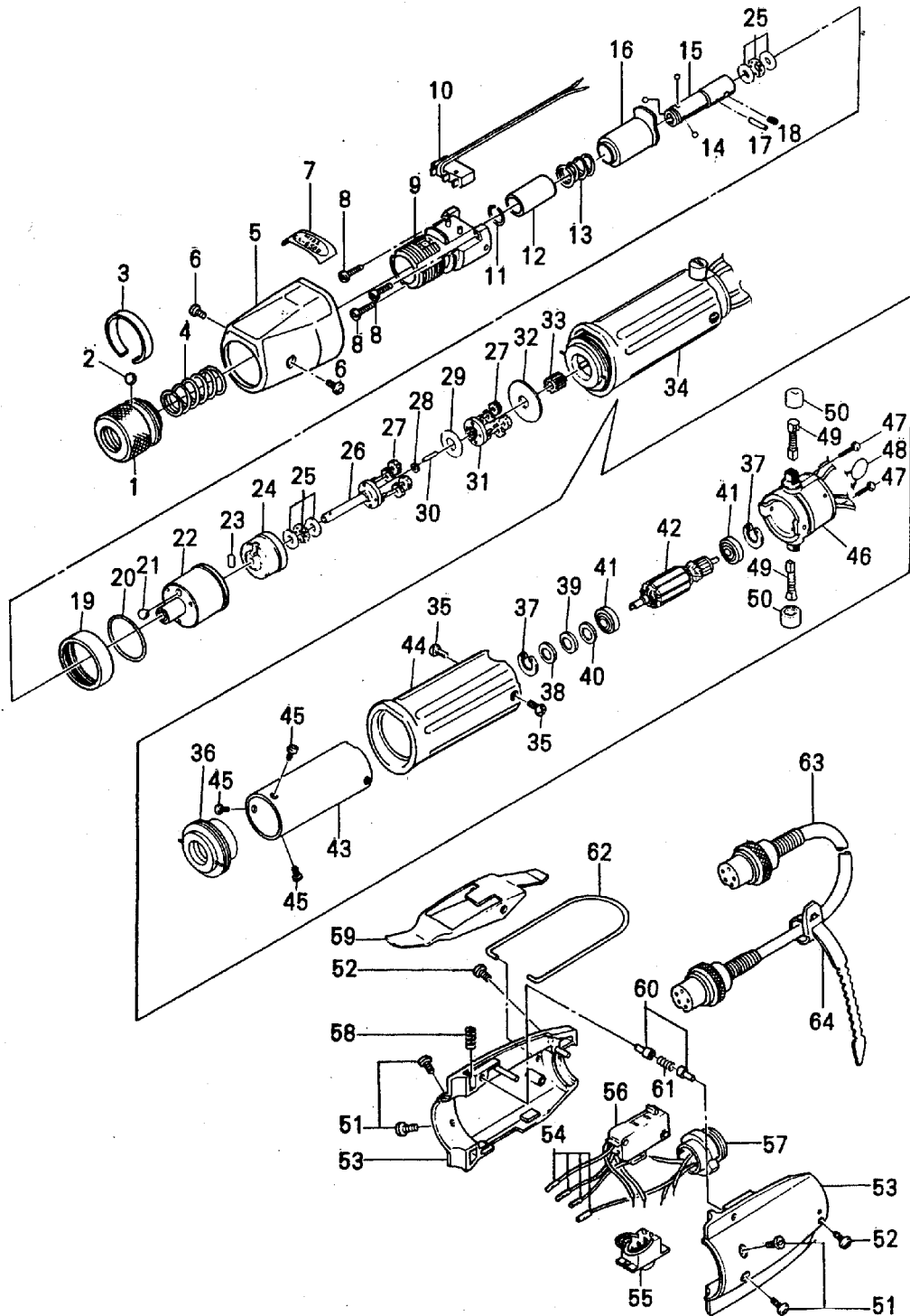


CL-7000

Part Number 64117

5.0 mm Drive Size

Rev 1.0 10/21/02



ASG, Division of Jergens Inc.

Jergens Way o 15700 S. Waterloo Road o Cleveland, OH 44110

Tel: (216) 486-6163 o Toll-Free: (888) 486-6163 o Fax: (216) 481-4519

E-mail: asginfo@asg-jergens.com o Website: www.asg-jergens.com

ISO 9001

CL-7000

Part Number 64117

5.0 mm Drive Size
Rev 1.0 10/21/02



Ref#	Part Name	Part#	Ref#	Part Name	Part#
	Transmission Assembly 1 – 33 (w/o 10)		33	Pinion Gear	720876
	Torque Adjusting Nut Assembly 1 – 3		34	Motor	721618
1	Torque Adjusting Nut (Inc. 2 & 3)	720848	35	Phil Pan Head Screw 3x5 (x2)	720756
2	Knotting Ball 3.0 mm	720831	36	Motor Front Cover	720888
3	Knotting Ball Band	720124	37	Bearing Ret. Ring	721622
4	Torque Adjusting Spring (Purple)	Note A	38	Wave Washer	721621
5	Clutch Cover	720850	39	Bearing Spacer 0.1	721620
6	Phil Pan Head Screw 3x5 (x2)	720756	40	Bearing Spacer 0.2	720100
7	Mark Label	N/A	41	Motor Bearing (x2)	720103
8	Phil Pan Head Screw 2.6x8 (x3)	720852	42	Rotor	721726
9	Torque Adjusting Bolt	720853	43	Magnet Case (CL-7000)	N/A
10	Limit Switch	720705	44	Motor Case	721615
	Joint Shaft Assembly 11 – 16		45	Phil Pan Head Screw 3x4 (x3)	720755
11	Collar Stopper "C" ring	720854		Motor End Cover Assembly 37,41,46-50	
12	Joint Shaft Collar (5.0 mm)	720838	46	Motor End Cover	721610
13	Collar Spring	720834	47	SI Cheese Head Screw 2.6x20 (x2)	721611
14	Steel Ball 2.0 mm (x3)	720719	48	Capacitor	721612
15	Joint Shaft (5.0 mm)	720874	49	Carbon Brush (x2)	721601
16	Clutch Support	720856	50	Carbon Brush Cap (x2)	721602
17	Pin Lock	720836	51	Phil Pan Head Screw 3x8 (x4)	720759
18	Skt. Set Cup Pt. Screw 3x3	720717		Switch Assembly 52 – 62 (w/o 58,59)	
19	Joint Ring	720858	52	Phil Pan Head Screw 2.6x5 (x2)	721415
20	"O" Ring	720764	53	Switch Cover A & B	721608
	Gear Assembly 21 – 33		54	Connector	720878
21	Steel Ball 5.5 mm	720859	55	For/Rev Switch	720753
22	Gear Case	720860	56	ON/OFF Switch	720754
23	Cam Roller	720861	57	5-Pin Connector	721402
24	Internal Gear	720871	58	Switch Lever Spring	721605
25	Thrust Bearing 6x12 (x2)	720863	59	Switch Lever	721603
	Lower Planet Cage Assembly 26,27		60	Switch Lever Plunger (x2)	721606
26	Lower Planet Cage	720865	61	Plunger Spring	721607
27	Planet Gear (x8)	720869	62	Hanger	721604
28	Gear Washer	721715	63	5-Core Cord w/connector in both ends	64182
29	Thrust Washer	720768	64	Free-Up Belt	N/A
30	Planetary Pin	720769			
	Upper Planet Cage Assembly 27,31			Note A	
31	Upper Planet Cage	720890		Torque Adjustment Spring (Yellow)	720844
32	Grease Seal	720867		Torque Adjustment Spring (Purple)	720845

ASG, Division of Jergens Inc.
Jergens Way o 15700 S. Waterloo Road o Cleveland, OH 44110
Tel: (216) 486-6163 o Toll-Free: (888) 486-6163 o Fax: (216) 481-4519
E-mail: asginfo@asg-jergens.com o Website: www.asg-jergens.com

ISO 9001