

H Series Auto Shut-Off Pneumatic Tube Nut Wrenches

- Torque range from 3.0 to 24.0 N.m (26.55 - 212.42 lbf.in) across the series
- Small head design works in limited access areas
- Mechanical shut-off type with external torque adjustment
- Low vibration clutch
- Button and lever design. Push lever releases the gear socket back to the open position; Push button and push lever for operation
- Light weight
- Easily adjustable torque
- Soft, ergonomic grip handle
- Standard and custom sockets available
- Capable of tightening and loosening fasteners. Invert tool to loosen bolts.
- Socket with guide to prevent disengagement from the nut. Tool is non-reversible. Available upon request, contact ASG for more information.



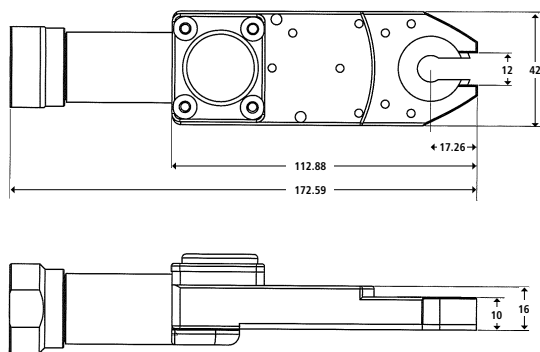
View the Tube Nut Wrench informational video on our YouTube channel, ASG Jergens

Model Number	ASG Number	Torque Range		Free Speed RPM	Socket Hex Drive Size mm	Length		Weight		Head Width mm
		lbf.in	N.m			in.	mm	lb.	kg	
HTN-8-42-6MM	68470	26.55 - 70.81	3.0 - 8.0	230	6	18.5	470	4.9	2.2	42
HTN-8-42-8MM	68471	26.55 - 70.81	3.0 - 8.0	230	8	18.5	470	4.9	2.2	42
HTN-8-42-9MM	68472	26.55 - 70.81	3.0 - 8.0	230	9	18.5	470	4.9	2.2	42
HTN-8-42-10MM	68473	26.55 - 70.81	3.0 - 8.0	230	10	18.5	470	4.9	2.2	42
HTN-8-42-11MM	68474	26.55 - 70.81	3.0 - 8.0	230	11	18.5	470	4.9	2.2	42
HTN-8-42-12MM	68475	26.55 - 70.81	3.0 - 8.0	230	12	18.5	470	4.9	2.2	42
HTN-17-42-6MM	68476	44.25 - 150.46	5.0 - 17	230	6	18.5	470	4.9	2.2	42
HTN-17-42-8MM	68477	44.25 - 150.46	5.0 - 17	230	8	18.5	470	4.9	2.2	42
HTN-17-42-9MM	68478	44.25 - 150.46	5.0 - 17	230	9	18.5	470	4.9	2.2	42
HTN-17-42-10MM	68479	44.25 - 150.46	5.0 - 17	230	10	18.5	470	4.9	2.2	42
HTN-17-42-11MM	68480	44.25 - 150.46	5.0 - 17	230	11	18.5	470	4.9	2.2	42
HTN-17-42-12MM	68481	44.25 - 150.46	5.0 - 17	230	12	18.5	470	4.9	2.2	42
HTN-17-56-13MM	68482	44.25 - 150.46	5.0 - 17	230	13	18.5	470	4.9	2.2	56
HTN-17-56-14MM	68483	44.25 - 150.46	5.0 - 17	230	14	18.5	470	4.9	2.2	56
HTN-24-56-15MM	68484	61.96 - 212.42	7.0 - 24	170	15	18.5	470	4.9	2.2	56
HTN-24-56-17MM	68485	61.96 - 212.42	7.0 - 24	170	17	18.5	470	4.9	2.2	56
HTN-24-56-19MM	68486	61.96 - 212.42	7.0 - 24	170	19	18.5	470	4.9	2.2	56
HTN-24-56-21MM	68487	61.96 - 212.42	7.0 - 24	170	21	18.5	470	4.9	2.2	56
HTN-24-56-22MM	68488	61.96 - 212.42	7.0 - 24	170	22	18.5	470	4.9	2.2	56

Operating Pressure: 85.34 PSI, 5.88 Bar | Inlet Size: 1/4" NPT | Min. Hose ID: 10mm | Air Consumption: 19.43 CFM, 9.17 L/Sec | DBA: 78

Dimensional Drawings

HTN-42



HTN-56

